



DVS

EXHAUST AIR VALVE

AIR MANAGEMENT SYSTEMS

PRODUCT PROPERTIES

Powder coated valve including fixing collar

DVS is an exhaust valve suitable for houses, offices etc.

- Good adjusting features
- Low noise level
- Quick and easy to install
- Airflow easy to measure

CONSTRUCTION

The DVS is manufactured from steel sheet, powder coated. Standard color white (RAL 9010). Other color finishes are available to special order quantities. The valve body has a gasket, made of cellular plastic and the control disc, with screw spindle, enables easy regulation and positional locking. Fixing collar DVS-F is manufactured from galvanized steel sheet.

SOUND POWER LEVEL L_w

DVS	CORRECTION K_{oct} (dB)						
	Middle frequency by octave band (Hz)						
	125	250	500	1k	2k	4k	8k
080	1	-2	1	0	-3	-10	-22
100	5	-2	-3	-3	0	-8	-20
125	-6	0	0	-3	0	-13	-25
150	-6	-5	-4	0	-1	-13	-28
160	1	-1	-3	1	-2	-15	-32
200	3	1	-1	1	-4	-12	-25
Tol. +/-	3	2	2	2	2	2	3

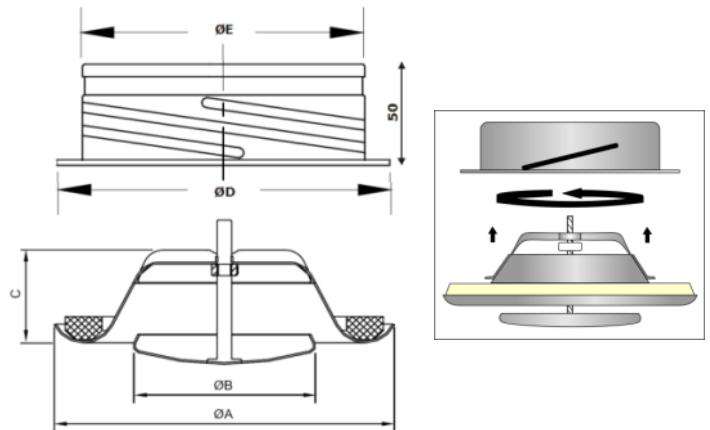
Sound power levels by octave bands are obtained by adding to total sound pressure level L_{p10A} , dB(A) the corrections K_{oct} presented in the table according to the following formula:

$$L_{woct} = L_{p10A} + K_{oct}$$

Correction K_{oct} is average value in range of use of DVS unit.

DIMENSIONS in mm

DVS	Ø 080	Ø 100	Ø 125	Ø150	Ø 160	Ø200
A	116	140	170	202	202	254
B	60	75	99	119	119	157
C	40	40	46	54	54	64
W (gr)	150	160	230	340	340	510
D	105	125	150	175	185	225
E	79	99	124	149	159	199
W (gr)	80	100	120	180	190	240

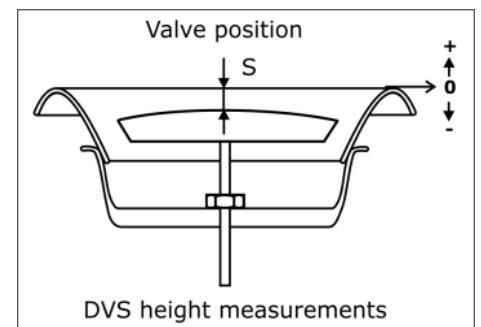


REGULATION AND MEASUREMENTS

Regulation of airflow is achieved by turning the control disc to change adjustment dimension s (mm). The measurement of airflow is made by a pressure difference measurement with a separate measuring tube. Refer to airflow measurement diagrams for information.

DVS	Adjustment s (mm)	SOUND ATTENUATION ΔL							
		Middle frequency by octave band (Hz)							
		63	125	250	500	1k	2k	4k	8k
080	-9	24	20	14	10	8	5	5	6
	0	24	19	13	9	6	3	4	5
	12	24	19	13	9	5	2	3	4
100	-10	23	19	14	12	11	10	13	14
	0	23	16	11	8	7	6	9	8
	10	23	16	11	7	5	4	7	8
125	-17	20	19	13	10	7	7	11	14
	0	18	16	10	6	4	4	5	8
	9	19	16	9	6	3	3	5	7
150	-15	21	14	11	8	6	6	8	8
	0	20	13	9	6	4	4	7	6
	10	16	14	9	4	3	2	7	7
160	-15	18	13	11	7	6	6	8	8
	-10	18	13	10	6	5	5	7	7
	0	17	13	9	5	4	3	6	6
200	-15	17	12	8	7	6	7	8	9
	-5	17	11	7	6	5	6	6	8
	0	17	11	7	5	5	6	6	7
Tol. ±	6	3	2	2	2	2	2	2	3

The average sound attenuation ΔL from duct to room including the end reflection of the connecting duct in ceiling installation is obtained in the table above.



LIABILITY:

The information contained in this brochure was current on the publication date. DEC INTERNATIONAL reserves the right to make changes in details at any time without prior notice. In order to avoid misunderstandings, any interested party is advised to contact DEC INTERNATIONAL checking for any changes in materials and/or information after this brochure was published.

PLEASE NOTICE:

The consultant is responsible for the actual installation and mounting of the product. The mentioned values with respect to temperatures are not appropriate to be used to determine the physical properties. These properties are also dependent on humidity and the temperature of the air inside and outside of the H.V.A.C. system.

TRADEMARKS:

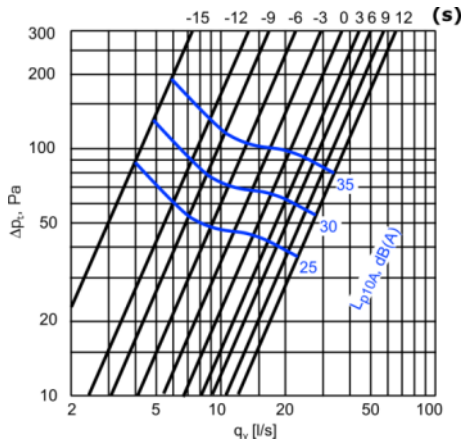
DEC International and the DEC logo are trademarks, or registered trademarks of Dutch Environment Corporation BV in the Netherlands and/or other countries.

DVS EXHAUST AIR VALVE

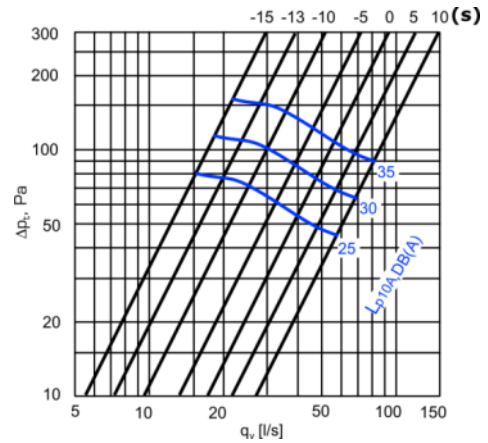
AIR MANAGEMENT SYSTEMS



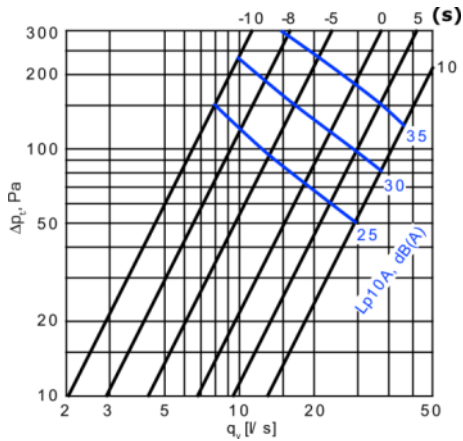
DVS 080 mm



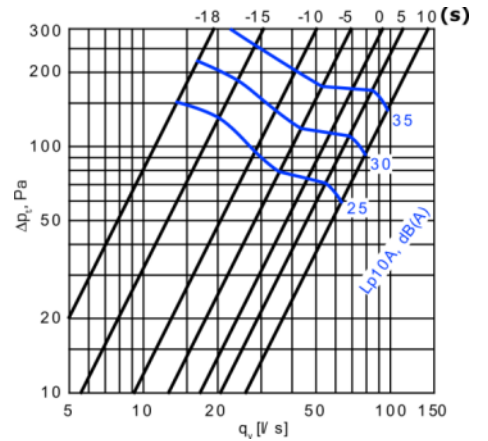
DVS 150 mm



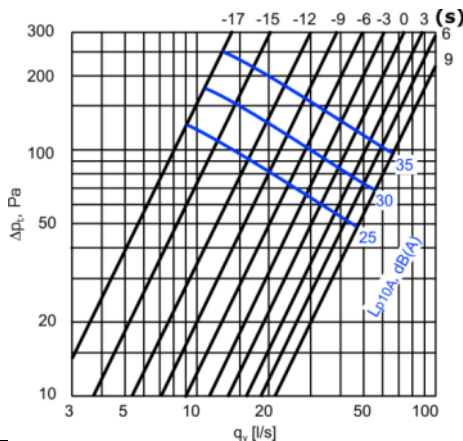
DVS 100 mm



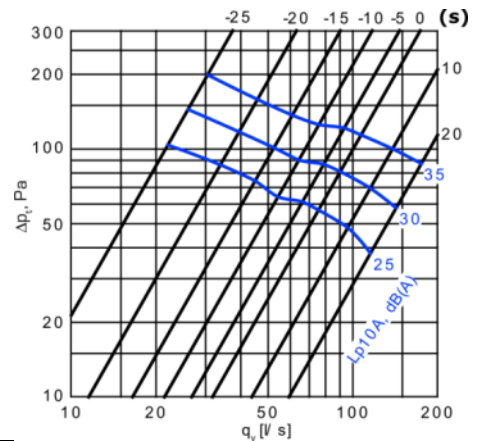
DVS 160 mm



DVS 125 mm



DVS 200 mm



DEFINITIONS

q_v	air volume	(m^3/h)
Δp_t	total pressure drop	(Pa)
L_{p10A}	sound pressure level with 4 dB room attenuation ($10 m^2sab$)	[dB(A)]
L_{woct}	sound power level by octave bands	(dB)
ΔL	sound attenuation	(dB)
K_{oct}	correction	(dB)

LIABILITY:

The information contained in this brochure was current on the publication date. DEC INTERNATIONAL reserves the right to make changes in details at any time without prior notice. In order to avoid misunderstandings, any interested party is advised to contact DEC INTERNATIONAL checking for any changes in materials and/or information after this brochure was published.

PLEASE NOTICE:

The consultant is responsible for the actual installation and mounting of the product. The mentioned values with respect to temperatures are not appropriate to be used to determine the physical properties. These properties are also dependent on humidity and the temperature of the air inside and outside of the H.V.A.C. system.

TRADEMARKS:

DEC International and the DEC logo are trademarks, or registered trademarks of Dutch Environment Corporation BV in the Netherlands and/or other countries.